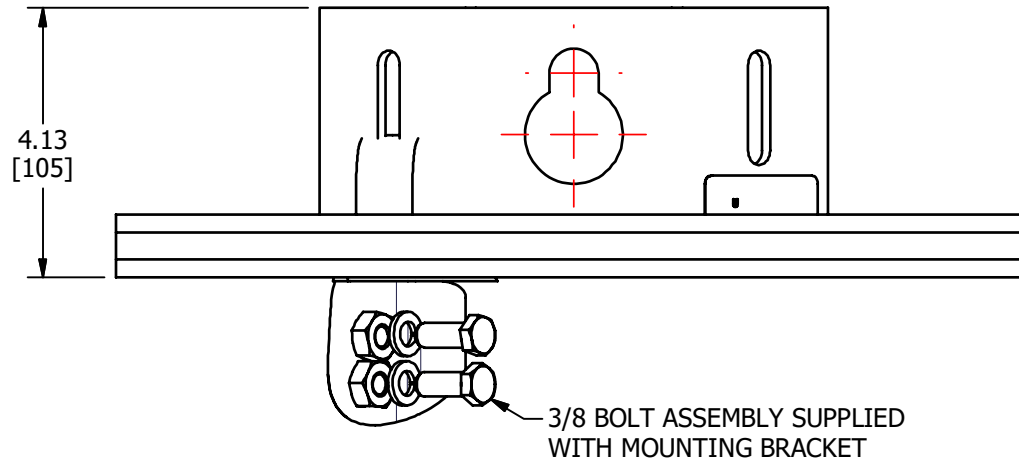
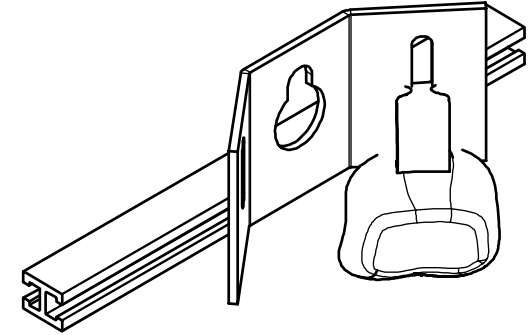
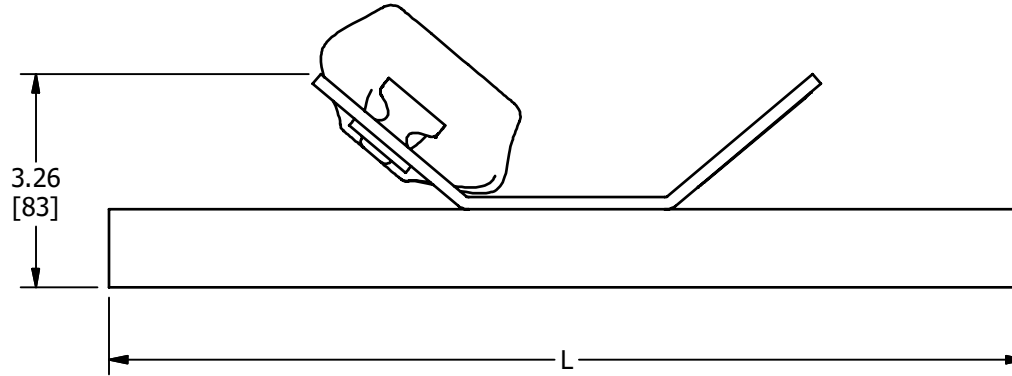
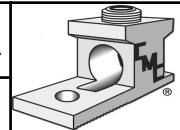


S.NO	CATALOG NUMBER	L
1	BA3PMBH-14	10 [356]
2	BA3PMBH-24	24 [610]



REV.	DESCRIPTION	ECN	DATE	INIT.	TO ORDER CMC PRODUCTS	DRAWN BY: TS 03-19-20	NAME OF PART: POLE AND FLAT SURFACE MOUNTING BRACKET	CAT. NO.: SEE TABLE
A	NEW DRAWING CREATED		03-19-20	TS	UNITED STATES 1-513-860-4455  CANADA 1-800-361-6975  MEXICO 011-52-722-265-4400  FOR PRODUCT INFO www.cmlugs.com	CHECKED BY:	DWG NO: UB20700022-S (CHARTED)	A
						DRAWING NOT TO SCALE		SHEET NO: 1 OF 1



THIS INFORMATION IS PROPRIETARY TO CONNECTOR MFG. CO. AND IS NOT TO BE DISCLOSED OUTSIDE OF CONNECTOR MFG. CO. WITHOUT A CONFIDENTIALITY AGREEMENT



**CONNECTOR MANUFACTURING CO.**

HAMILTON, OHIO